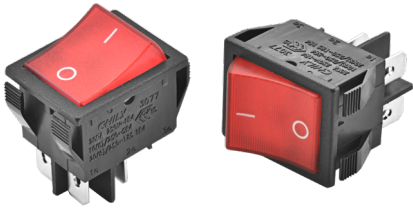


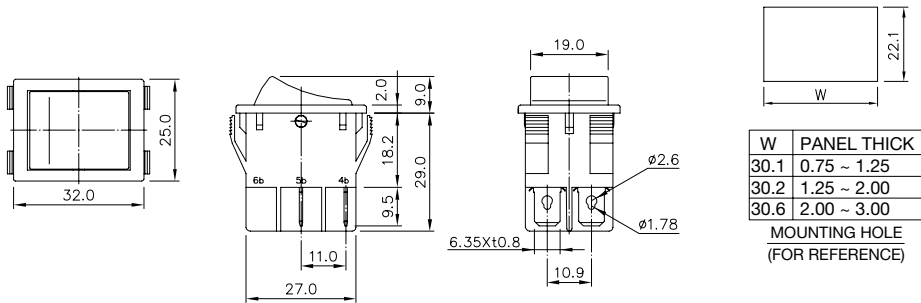
3077 SERIES

SPECIFICATION



RATING:	20(8)A 250V~T85 (UL, CUL, ENEC) 10(6)A 250V~T85 5E4 (UL,CUL,ENEC) 3/4HP 125/250VAC T85 (UL,CUL)
INSULATION RESISTANCE:	DC 500V 100MΩ OR MORE
CONTACT RESISTANCE:	DC 2-4V 1A 20mΩ OR LESS
WITHSTAND VOLTAGE:	AC 1500V FOR 1 Min
AMBIENT TEMPERATURE:	0~85°C
ELECTRICAL LIFE:	10,000 CYCLES

SIZE



HOW TO ORDER

3077 - □ - □ - □ - □ - □ - □ - □ - □

KNOB	PRINT	LIGHT	TERMINAL	CIRCUIT	BODY	KNOB COLOR	BODY COLOR
K1: MATT K3: GLOSS 	P0: NONE P1: 	L0: NONE L1: YELLOW L2: GREEN L3: BLUE	T1: 6.35x10.8 T5: 	C01: ON-OFF DPST C01A: ON-ON DPDT C01B: (ON)-OFF DPST	B01 	BK: BLACK BU: BLUE GN: GREEN RD: RED WT: WHITE	BK: BLACK WT: WHITE
K2: 	P2: 						
K4: PC 	P3: P4: PC 						
	P5: 						