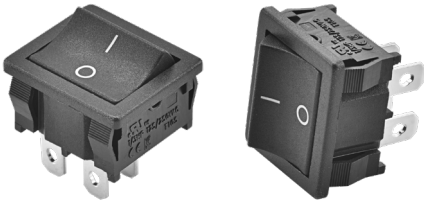
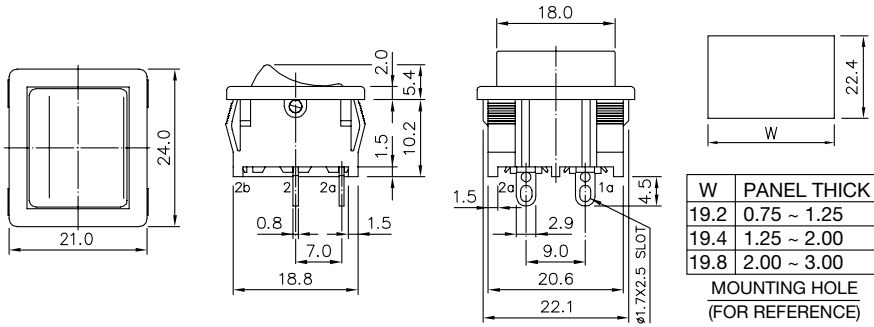


SPECIFICATION



RATING:	16A 125VAC, 10A 250VAC, 1/3HP 125/250VAC(UL, CUL) 16(4)A 250V~ T85,10/100A 250V~ T85 (ENEC)
INSULATION RESISTANCE:	DC 500V 100MΩ OR MORE
CONTACT RESISTANCE:	DC 2-4V 1A 20mΩ OR LESS
WITHSTAND VOLTAGE:	AC 1500V FOR 1 Min
AMBIENT TEMPERATURE:	0~85°C
ELECTRICAL LIFE:	10,000 CYCLES

SIZE



HOW TO ORDER

3050 - □ - □ - □ - □ - □

PRINT

P0:	P5:
P1:	P6:
P2:	P7:
P3:	
P4:	

TERMINAL

T1:	T5:
T2:	T6:
T2A:	T7: 4.75x0.8
T4: 4.75x0.8	

CIRCUIT

DS: DPST ON-OFF
DD: DPDT ON-ON
SD: SPDT ON-ON
SS: SPST ON-OFF

KNOB COLOR

BK: BLACK
SW: SNOW WHITE

BODY COLOR

BK: BLACK
SW: SNOW WHITE